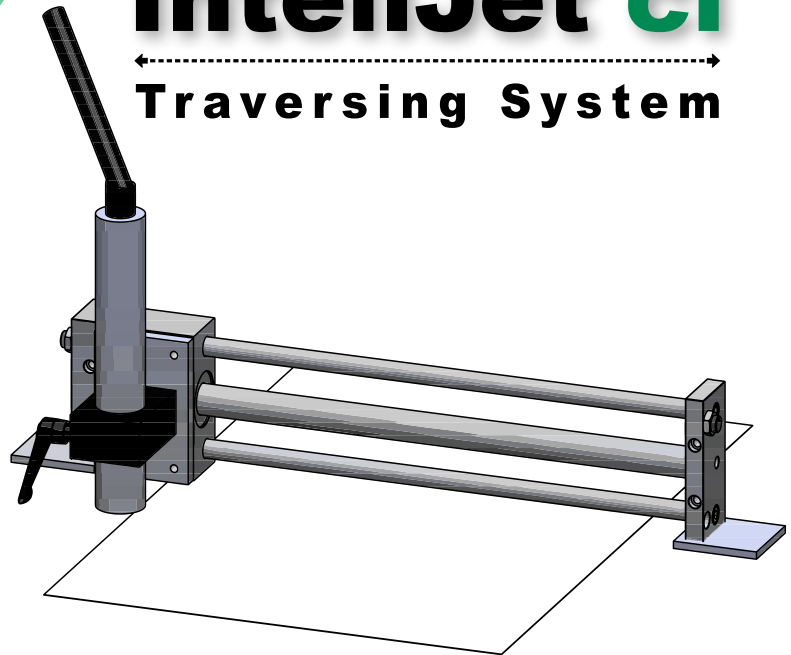


# InteliJet ci

←-----→

## Traversing System

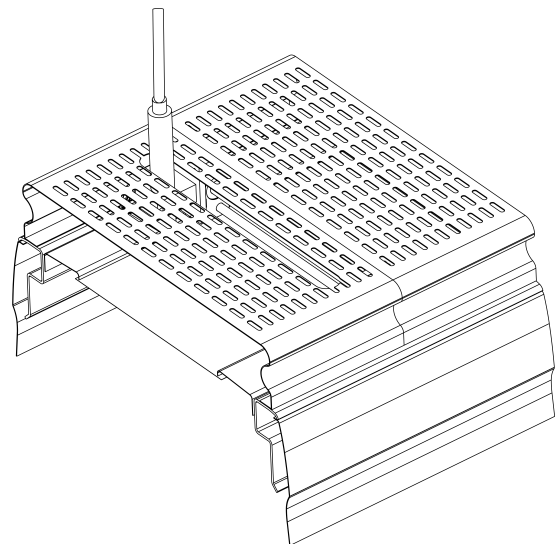


### X or XY Traversing System for the BELL-MARK InteliJet CI Printer.

The InteliJet CI Printing System provides in-line printing of sell-by dates and other information on packaging substrates such as poly films, foil, Tyvek and medical paper.

### Specifications:

- Available for One or Two Print Heads.
- Speed: Up to 350 mm/sec (13.7 in/sec)
- Stroke: 325 mm, 450 mm, 600 mm
- Air Drive, Operating Pressure:  
.2-.7 MPa; 2-7 bar; 30-100 psi
- Stainless steel tubes
- Hard anodized end plates and slide block
- X traverse – mounts 1 or 2 heads  
(Depending on the package spacing)
- X-Y Traverse – mounts single head only
- Air consumption: .5 CFM



**BELL-MARK**



# InteliJet ci

## InkJet Printer

### Highest Availability

State-of-the-art technology such as the BELL-MARK nozzle seal and the hydraulics design without permanent operated pressure pumps lead to minimum service and highest availability.

### Easy Handling

The Windows-based interface allows intuitive handling of the printer. The great variety of functions are clearly shown on the 10.4" touch display.

### Auto Nozzle Seal

Nozzle and gutter tube close airtight. This prevents drying of ink in the print head. Even after a long-term shut-down of the printer, an instant start without cleaning is guaranteed.

### Flexible Integration

Numerous interfaces on the back of the printer make the integration of the printer very easy. The InteliJet ci offers connections for USB Ethernet and digital I/O.

With automatic nozzle seal



Different kind of products can be printed with fast-drying inks. Typical applications for the InteliJet ci  
Meat Processing / Packing, Poultry, Dairy, Prepared Foods, Steel, Beverage and Electronics.



331 Changebridge Road, Pine Brook NJ 07058  
PO BOX 2007 p:973-882-0202 f:973-808-4616 [www.bell-mark.com](http://www.bell-mark.com)



Scan the code for a video of the InteliJet ci