

InteliJet TS² & Semi-Automatic Bag Loader

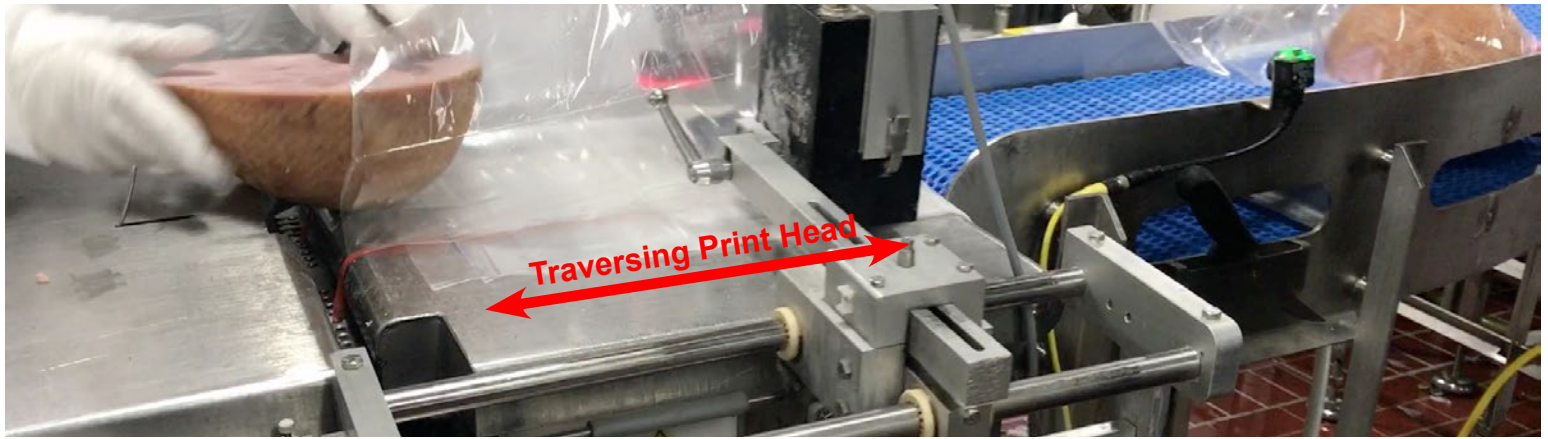
Traversing, Thermal Inkjet Print System for your Semi-Auto Bag Loader.

Now You Can Register A Perfectly Legible Code Date On Every Package

ZERO Maintenance and Extreme Versatility make the BELL-MARK InteliJet TS™ line of printers the ideal solution to deliver high-quality; Variable Data, Logos, Graphics, Lot Numbers, Date Codes and Bar Codes on virtually any surface.



BELL-MARK



Intelijet TS Quattro

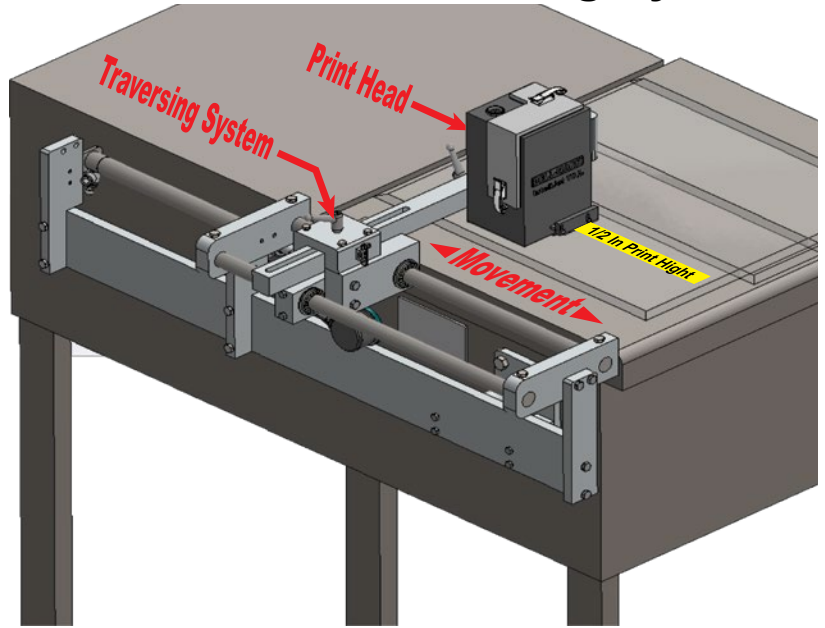
Harsh Environment HMI / Control Box

NEW

- 10.4" IP66 Rated Touch Screen with built in label creation software.
- Controls 4 or more print heads.
- Built in multi axis traversing system controller.
- Saves optional traversing settings with label.
- Individual pen ink level monitoring and diagnostics.
- Internet enabled network support and software update.
- Full (VDP) Variable Data Printing Capable.
- Windows 7 PC control system with solid state drive.
- Ethernet, RS232, or discrete I/O to connect to packaging line.
- Hygienic design.



Intelijet TS Traversing System



Print Samples on Black

Intelijet TS X₂ NEW

Harsh Environment Print Head


The **Intelijet TSX™** IP66 Rated printhead is the ideal machine for in-line printing of all the variable information required for Meat & Dairy packaging industry.



Features

- All NEW, All METAL Design
- One Cable Connection
- IP65 Rated in Run Mode
- IP66 Rated During Washdown

Bell-Mark Intelijet TSX IP-66 Thermal Inkjet Printer
 Use or Freeze By: 07/18/2017 Lot:12345 973-882-0202 www.bell-mark.com
 Bell-Mark Intelijet TSX IP-66 Thermal Inkjet Printer
 Use or Freeze By: 07/18/2017 Lot:12345 973-882-0202 www.bell-mark.com

Font size	Print Size Examples
9 pt	JAN 07 2017 08:15
10 pt	LOT 66G7 EXP 07 JAN 2017
12 pt	USE BY 07 JAN 2017 7D 5766
18 pt	JAN 07 17 H7788857
32 pt	01/07/17 08:15 A
N/A	 (01) 012345678901231 (10) HJS649 (17) 28 02 2015 (21) 923Z845Y716W

REV:1.0.0