

EasyPrint mlp

Multi-Lane Thermal Transfer Printer

Multiple Lane Thermal Transfer Printing for:

- ✓ Pharmaceuticals
- ✓ Blister Packages
- ✓ Syringes
- ✓ Sutures
- ✓ Catheters
- ✓ Processed Meats
- ✓ Cheeses
- ✓ Pouches
- ✓ And more...

Bar Codes

- ✓ GS1 DATA BAR-14
- ✓ DATAMATRIX
- ✓ MAXICODE
- ✓ LINEAR BAR CODES
- ✓ And More...

Features

- Ribbon Saving feature reduces ribbon waste up to 50%
- Low air pressure detection maximizes print quality for critical applications
- Carriage home position is located at operator side for easy ribbon changes
- Floating printhead provides perfect alignment to substrate for high quality printing
- Available with 2", 5" and now 8.3" print heads.

The EasyPrint MLP is designed for versatility. The EasyPrint MLP is the ideal machine for in-line printing of batch codes, graphics, logos, sell-by dates, bar codes and other variable information. The thermal transfer technology prints directly onto packaging substrates such as poly films, foil, Tyvek®, medical paper, cartons and labels. The EasyPrint MLP provides solutions for multiple package coding and printing on Multivac, Tiromat, RapidPak, Dixie, Hooper, Fargo Automation and all horizontal form, fill, seal, packaging machines.

Color Touch Screen Controls.



Benefits of EasyPrint Thermal Transfer Printing

Saves Time and Money

Thermal transfer eliminates costly setup and downtime of changing metal or rubber type on hot stamp and competitive coders. No messy ink jet cleanup or downtime.

More Prints Per Ribbon

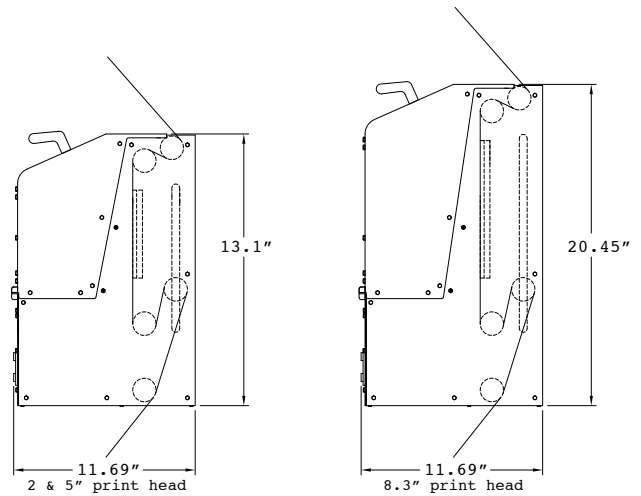
Over 41,994 3/4 inch (19.05mm) prints per ribbon. The EasyPrint MLP has an automatic, highly accurate ribbon advance system that minimizes ribbon usage and delivers more prints per ribbon.

High Speed

Unique electronic design enables printing at speeds up to 600mm/sec. across a web.

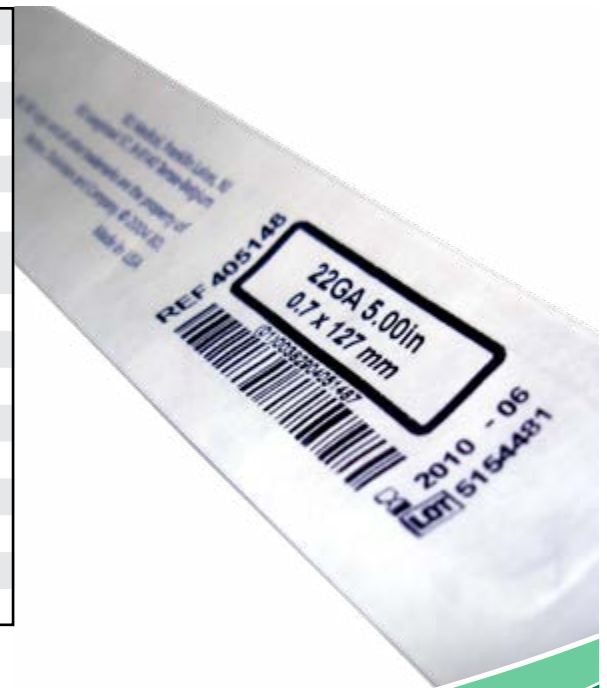


Design • Send • Print •



Specifications

Technology	Direct Thermal Transfer
Print Area	Up to 8.3 x 23.62in (213 x 630mm)
Print Speed	From 25mm/sec up to 600mm/sec
Print Density	300 DPI (12 dots/mm)
# of lanes to print	Up to 99
Graphic Logos	BMP, DXF, PCX, TIF, WMF, GIF
Bar Codes	EAN 13, EAN 8, Code 39, 2/5 interleave, UPC A, UPC E, Code 128, EAN 128, HIBC LIC 128, PZN, EAN add-on, Date code, Data Matrix
Time/Date	Yes
Memory Storage	On Board USBx2, PCMCIA, or PC
Ribbon Length	2625 ft. (800m)
Communication	Serial RS 232, USB, Parallel DB25, Ethernet
Display	2 line LCD
Temperature	41°F-104°F (5°C-40°C)
Humidity	10-80% without condensation
Electrical	115/230 VAC, 50/60Hz, 400VA
Compressed Air	.353 CFM@ 88 PSI, Max (10LT/min @ 6 Bar)



Scan the code for a video of the EasyPrint MLP

331 Changebridge Road, Pine Brook NJ 07058
 PO BOX 2007 p:973-882-0202 f:973-808-4616 www.bell-mark.com